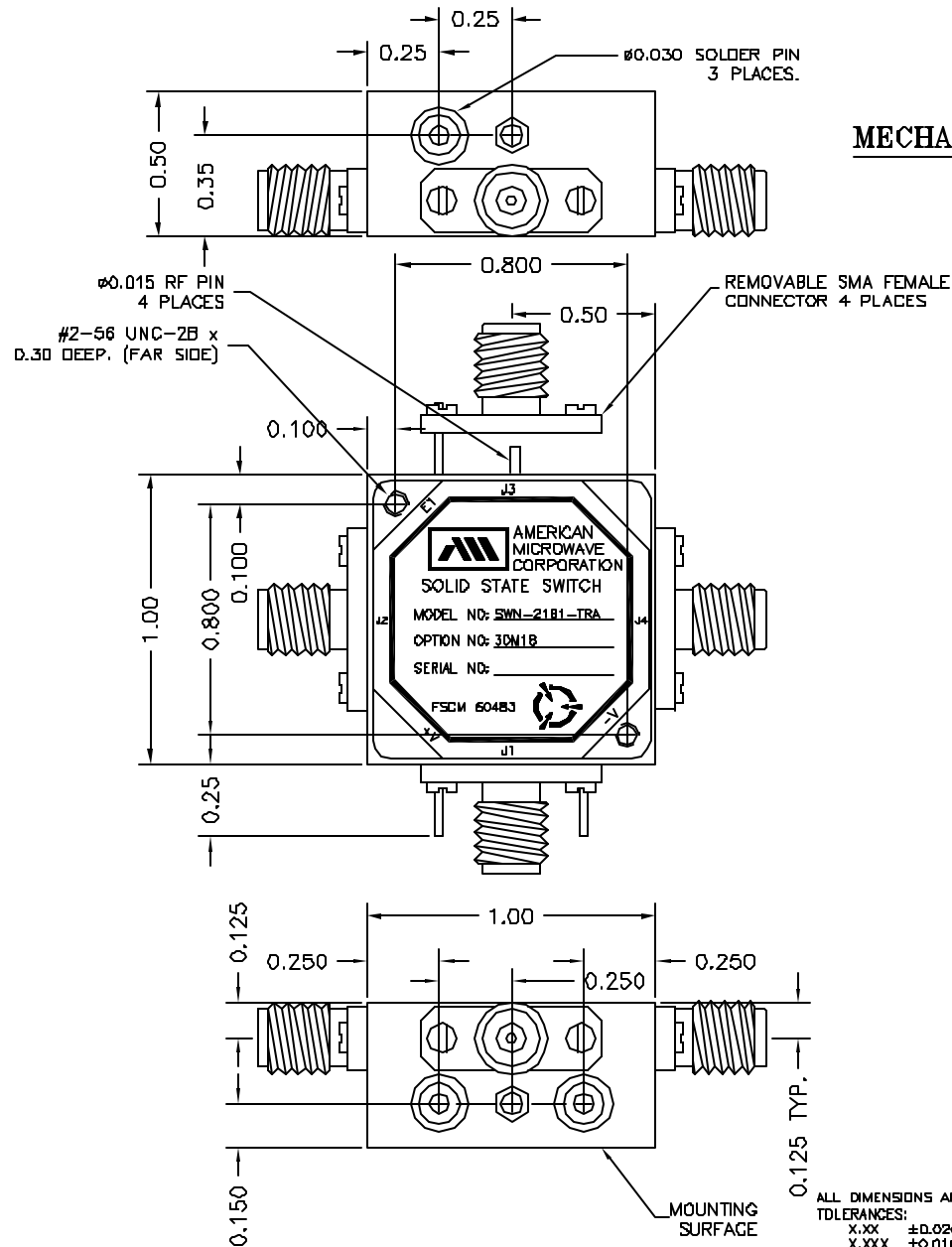


DESCRIPTION

AMC MODEL SWN-2181-TRA OPTION: 30M18 IS A TRANSFER SWITCH MODULE WITH LOW INSERTION LOSS, HIGH ISOLATION AND WITH INTEGRAL TTL DRIVER IN A SMALL 1.0" x 1.0" x 0.5" PACKAGE, DESIGNED FOR 30 MHz TO 18 GHz OPERATION.

REVISIONS				
ZONE	REV.	DESCRIPTION	DATE	APPROVED
	-	ORIGINAL RELEASE JOB# 507177-1	8/10/05	

MECHANICAL OUTLINE



TTL LOGIC	LOW LOSS PATH	ISOLATED PATH
0	J1-J2 J3-J4	J1-J4 J2-J3
1	J1-J4 J2-J3	J1-J2 J3-J4

AMERICAN MICROWAVE CORPORATION

7311-G GROVE ROAD
 FREDERICK, MARYLAND 21704 USA
 TEL: 301-662-4700 FAX: 301-662-4938
 WEBSITE: www.americanmicrowavecorp.com
 E-MAIL: sales@americanmicrowavecorp.com
 ISO 9001:2000 CERTIFIED



APPROVALS		DATE	TITLE			REV.
DRAWN	<i>FDS</i>	8/10/05	MECHANICAL OUTLINE SWN-2181-TRA OPTION: 30M18 30 MHz TO 18 GHz, TRANSFER SWITCH			-
CHECKED			SIZE	FSCM NO.	DWG NO.	
ISSUED			A	60483	100-7483	
			SCALE	N:S	SHEET	2 OF 4

ALL DIMENSIONS ARE IN INCHES
 TOLERANCES:
 X.XX ±0.020
 X.XXX ±0.010

DESCRIPTION

AMC MODEL SWN-2181-TRA OPTION: 30M18 IS A TRANSFER SWITCH MODULE WITH LOW INSERTION LOSS, HIGH ISOLATION AND WITH INTEGRAL TTL DRIVER IN A SMALL 1.0" x 1.0" x 0.5" PACKAGE, DESIGNED FOR 30 MHz TO 18 GHz OPERATION.

SPECIFICATIONS

- FREQUENCY RANGE: 30 MHz TO 18 GHz
- INSERTION LOSS: 3.5 dB MAXIMUM @ 18 GHz
- ISOLATION: 60 dB MINIMUM
- VSWR: IN/OUT: 2.0:1
- RISE TIME: 10 nSec TYPICAL, 15 nSec MAXIMUM
- FALL TIME: 10 nSec TYPICAL, 15 nSec MAXIMUM
- DELAY ON: 75 nSec TYPICAL, 100 nSec MAXIMUM
- DELAY OFF: 75 nSec TYPICAL, 100 nSec MAXIMUM
- POWER INPUT: (CW)+20 dBm (STANDARD), +10 dBm (HIGH SPEED)
- SURVIVAL POWER: 1 WATT CW, 10 WATTS PEAK 1 uSec
- CONTROL: SEE TABLE 1
- POWER SUPPLY: +5V @ 100 mA MAXIMUM
-5V @ 100 mA MAXIMUM
- CONNECTORS:
 - RF: SMA FEMALE
 - CONTROL: SOLDER PIN
- SIZE: 1.00" (L) x 1.00" (W) x 0.50" (H)
- WEIGHT: 1.5 OUNCE TYPICAL

OPTIONS:

- 30M18: 30 MHz TO 18 GHz FREQUENCY RANGE

ENVIRONMENTAL RATINGS:

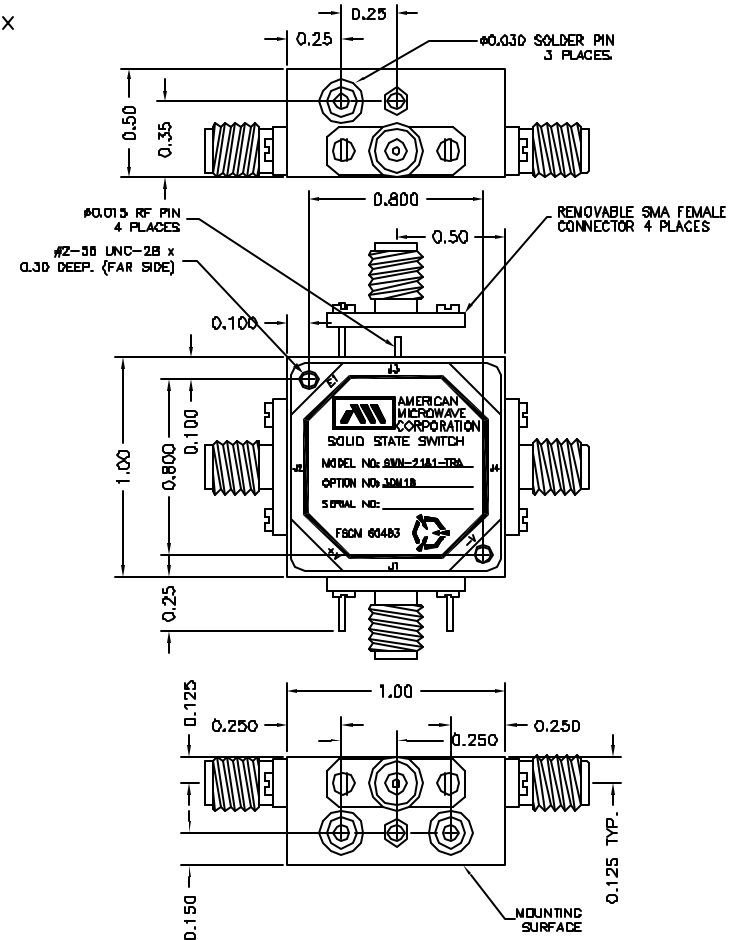
- TEMPERATURE: -55°C TO +85°C (OPERATING)
-65°C TO +125°C (STORAGE)
- HUMIDITY: MIL-STD-202F, METHOD 103B COND. B
- SHOCK: MIL-STD-202F, METHOD 213B COND. B
- VIBRATION: MIL-STD-202F, METHOD 204D COND. B
- ALTITUDE: MIL-STD-202F, METHOD 105C COND. B
- TEMPERATURE CYCLE: MIL-STD-202F, METHOD 107D COND. A

NOTE: SPECIFICATIONS WILL VARY OVER OPERATING TEMPERATURE
NOTE: THE ABOVE SPECIFICATIONS ARE SUBJECT TO CHANGE OR REVISION

TABLE 1		
TTL LOGIC	LOW LOSS PATH	ISOLATED PATH
0	J1-J2 J3-J4	J1-J4 J2-J3
1	J1-J4 J2-J3	J1-J2 J3-J4

ALL DIMENSIONS ARE IN INCHES
TOLERANCES:
XXX ±0.020
XXX ±0.010

REVISIONS				
ZONE	REV.	DESCRIPTION	DATE	APPROVED
	-	ORIGINAL RELEASE JOB# 507177-1	8/10/05	



AMERICAN MICROWAVE CORPORATION

7311-G GROVE ROAD
FREDERICK, MARYLAND 21704 USA
TEL: 301-662-4700 FAX: 301-662-4938
WEBSITE: www.americanmicrowavecorp.com
E-MAIL: sales@americanmicrowavecorp.com
ISO 9001:2000 CERTIFIED



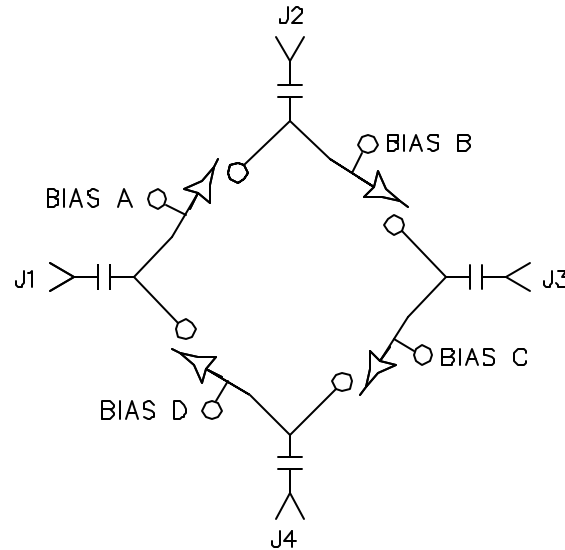
APPROVALS		DATE	TITLE			REV.
DRAWN <i>FDS</i>		8/10/05	PRODUCT FEATURE SWN-2181-TRA OPTION: 30M18 30 MHz TO 18 GHz, TRANSFER SWITCH			-
CHECKED			SIZE	FSCH NO.	DWG NO.	
ISSUED			A	60483	100-7483	
			SCALE	N:S	SHEET	1 OF 4

DESCRIPTION

AMC MODEL SWN-2181-TRA OPTION: 30M18 IS A TRANSFER SWITCH MODULE WITH LOW INSERTION LOSS, HIGH ISOLATION AND WITH INTEGRAL TTL DRIVER IN A SMALL 1.0" x 1.0" x 0.5" PACKAGE, DESIGNED FOR 30 MHz TO 18 GHz OPERATION.

REVISIONS				
ZONE	REV.	DESCRIPTION	DATE	APPROVED
	-	ORIGINAL RELEASE JOB# 507177-1	8/10/05	

FUNCTIONAL BLOCK DIAGRAM



CONFIDENTIAL AND PROPRIETARY

AMERICAN MICROWAVE CORPORATION

7311-G GROVE ROAD
 FREDERICK, MARYLAND 21704 USA
 TEL: 301-662-4700 FAX: 301-662-4938
 WEBSITE: www.americanmicrowavecorp.com
 E-MAIL: sales@americanmicrowavecorp.com
 ISO 9001:2000 CERTIFIED



APPROVALS		DATE	TITLE			REV.
DRAWN		8/10/05	FUNCTIONAL BLOCK DIAGRAM			
CHECKED			SWN-2181-TRA			
ISSUED			OPTION: 30M18			
			SIZE	FSCHM NO.	DWG NO.	
			A	60483	100-7483	-
			SCALE	N:S	SHEET	3 OF 4